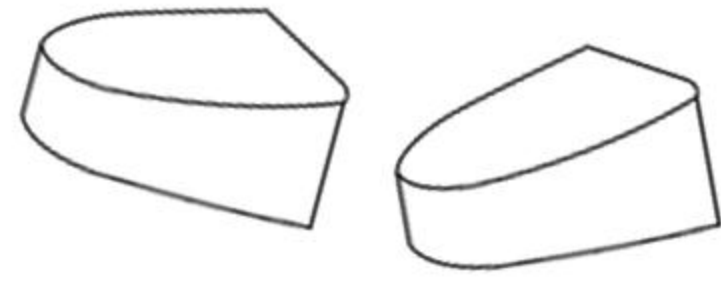


Parts:



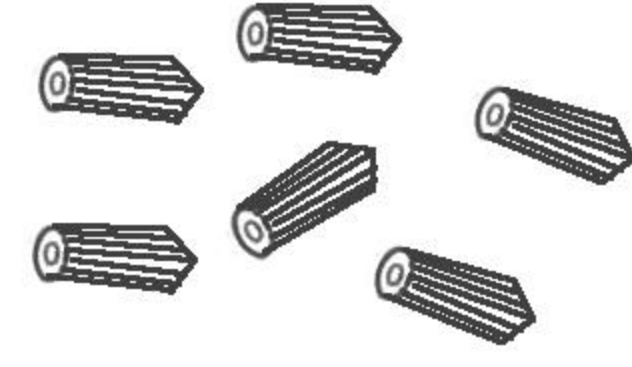
① BODY



② COVER X 2



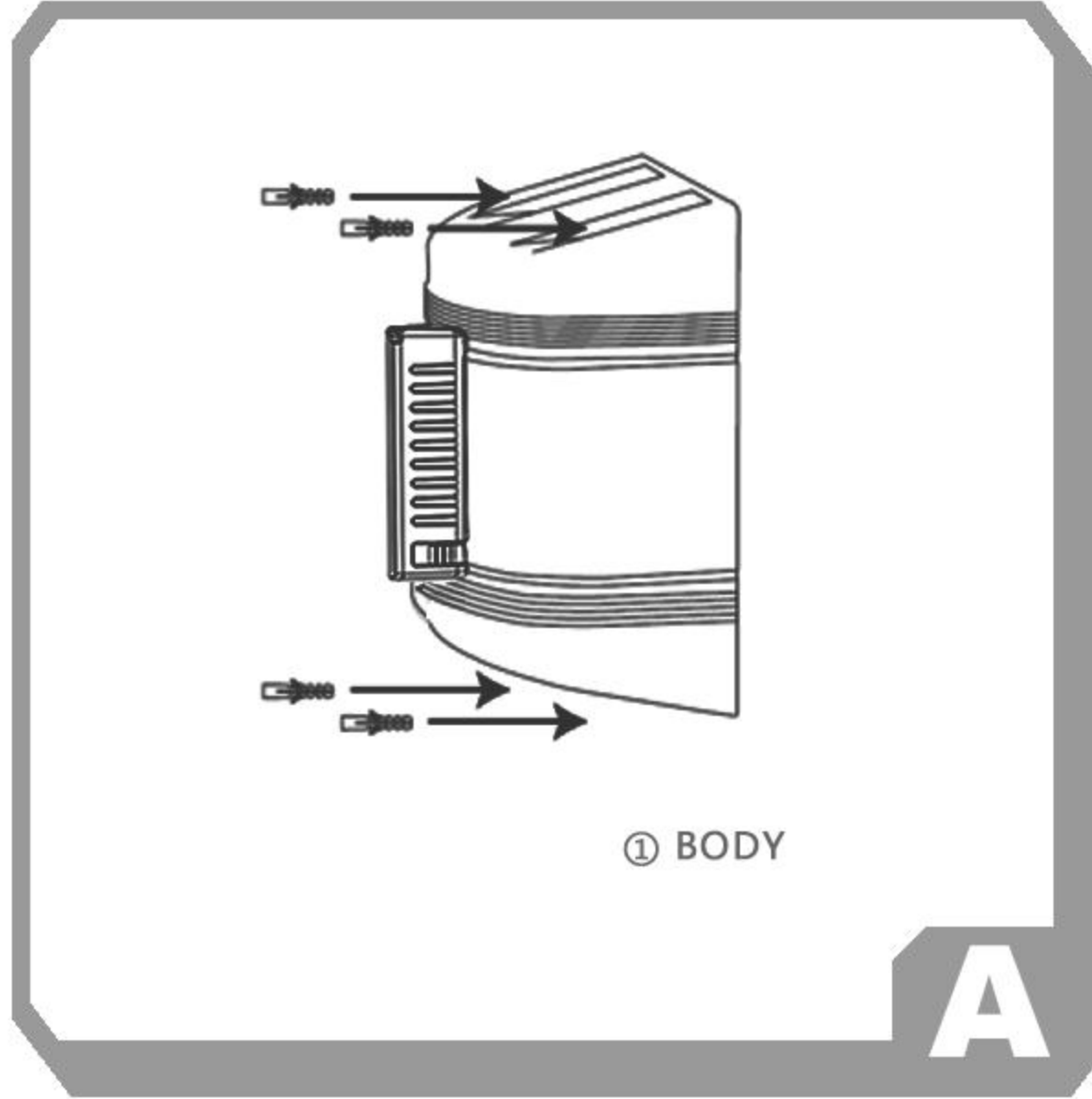
③ WALL CLIP



④ WALL PLUG X 6



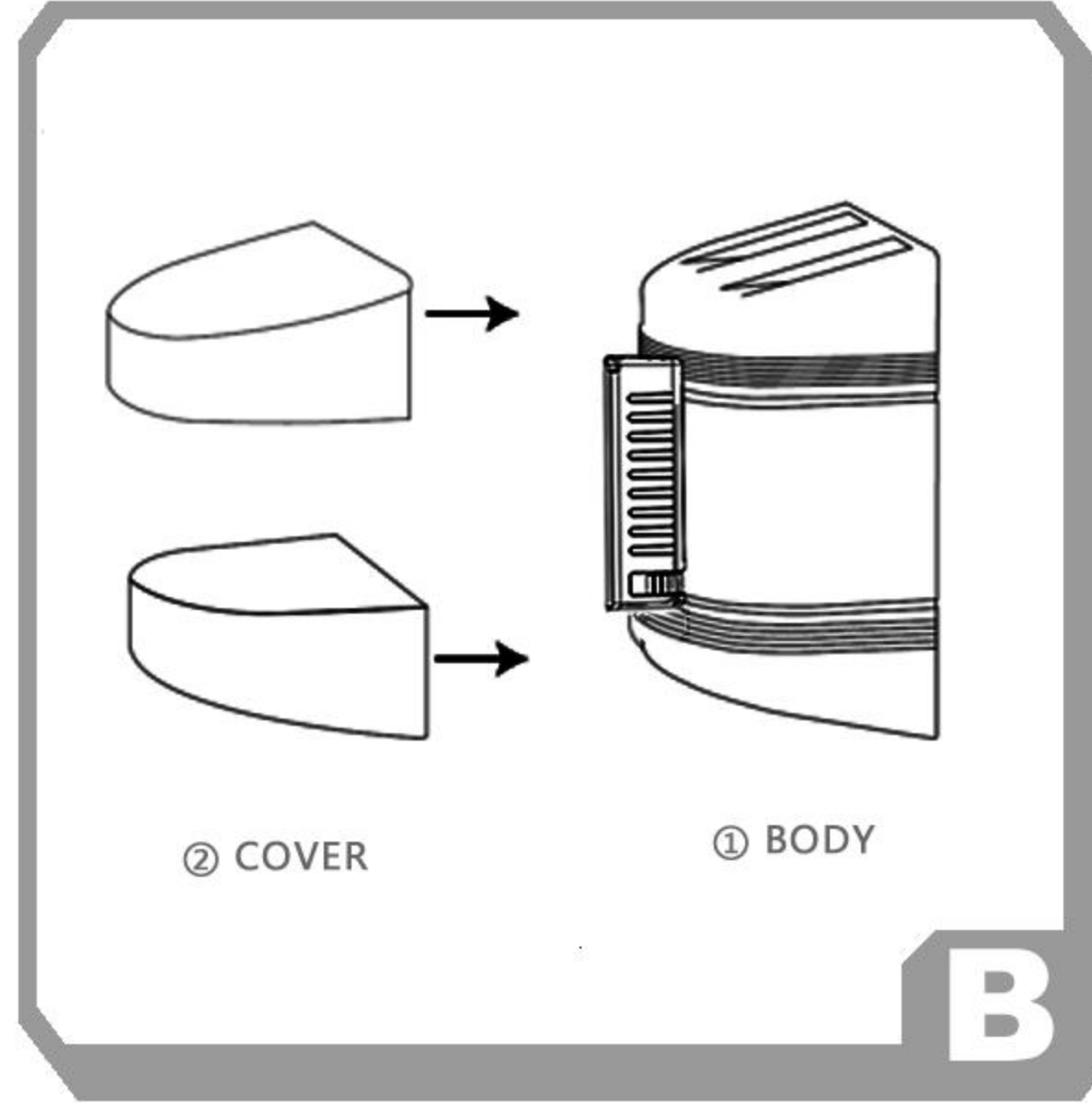
⑤ SCREW X 6



① BODY

A

Setup ⑤ SCREW to fix ① BODY on wall.

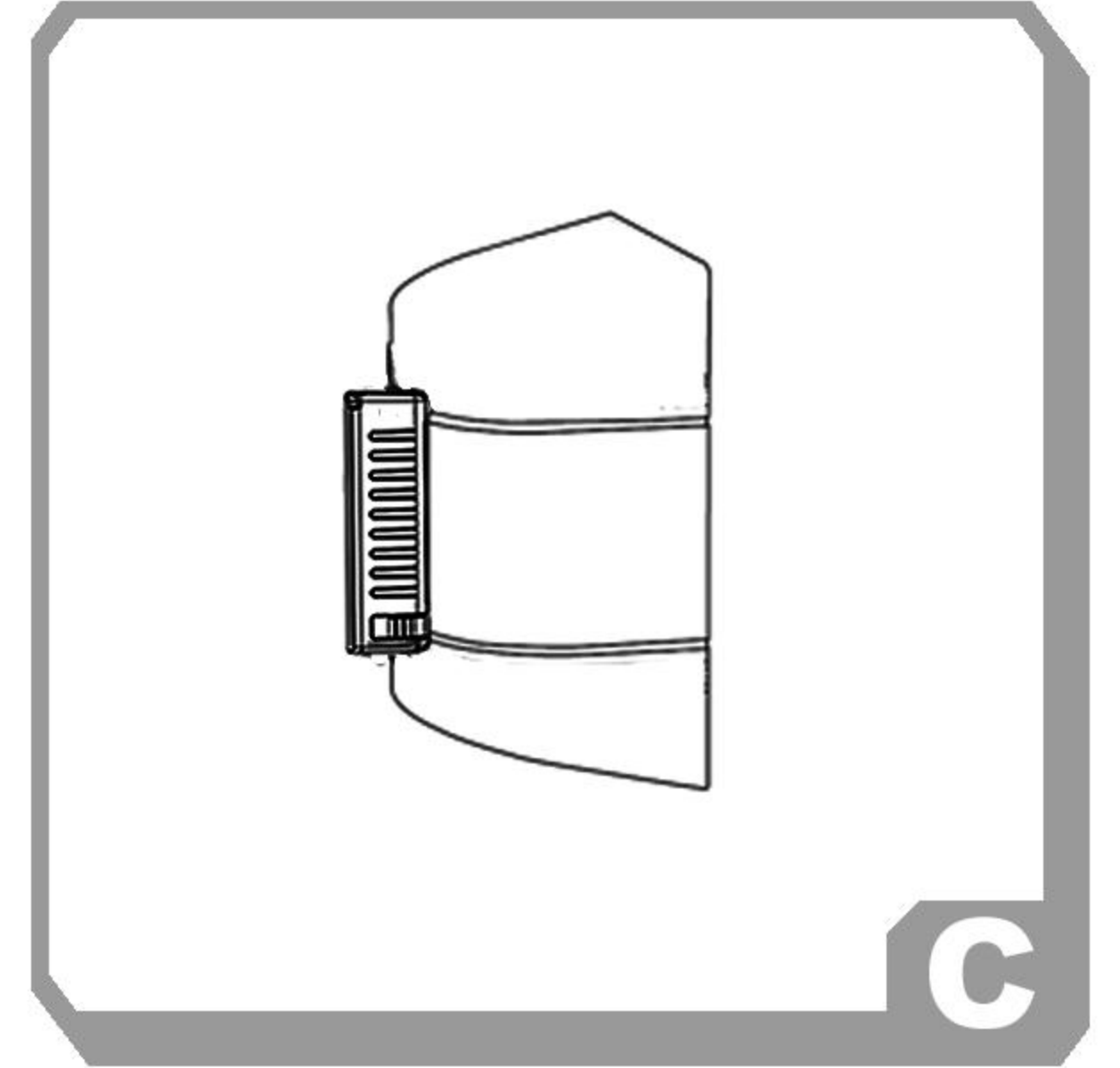


② COVER

① BODY

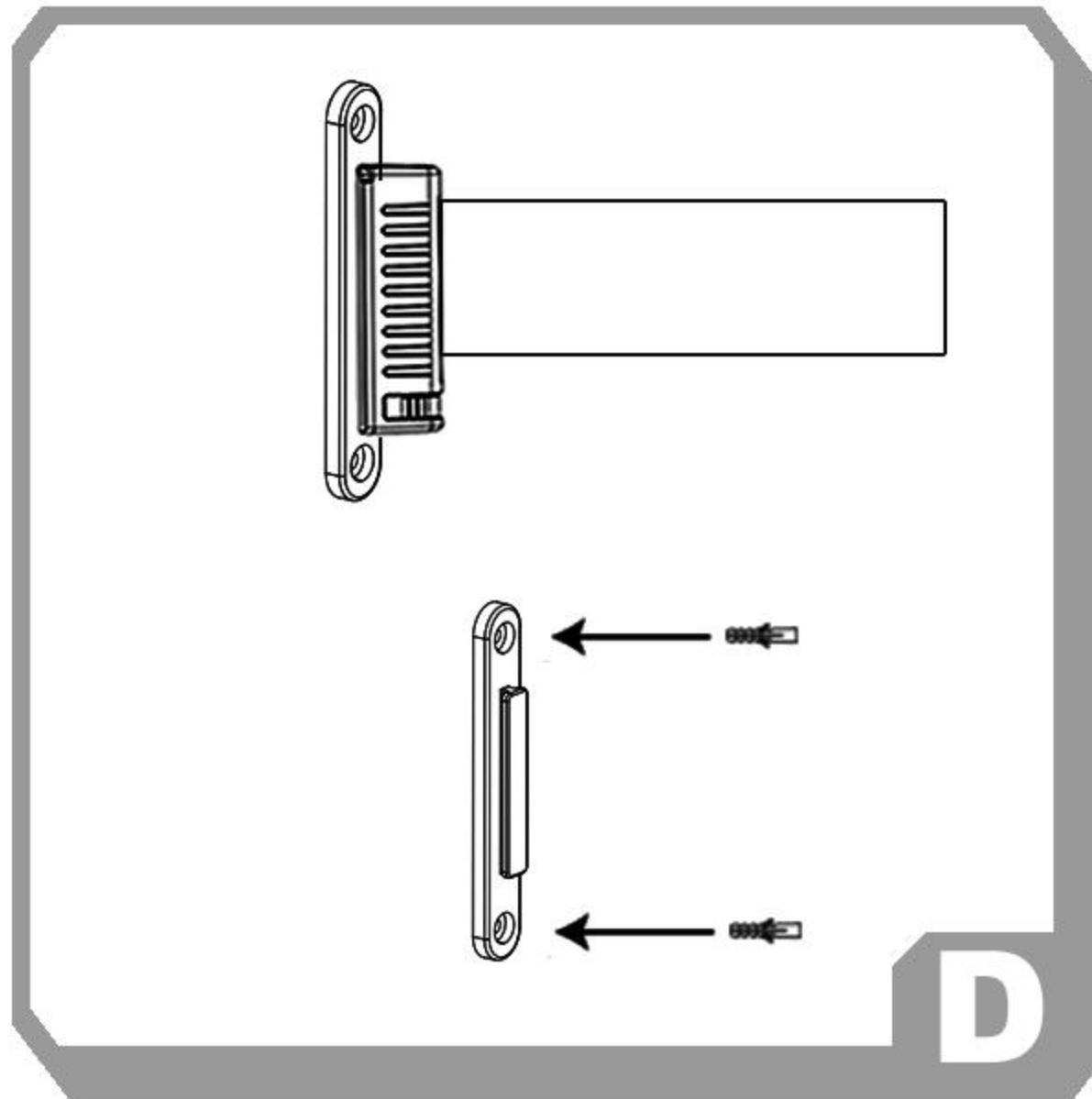
B

Slide to setup ② COVER .



C

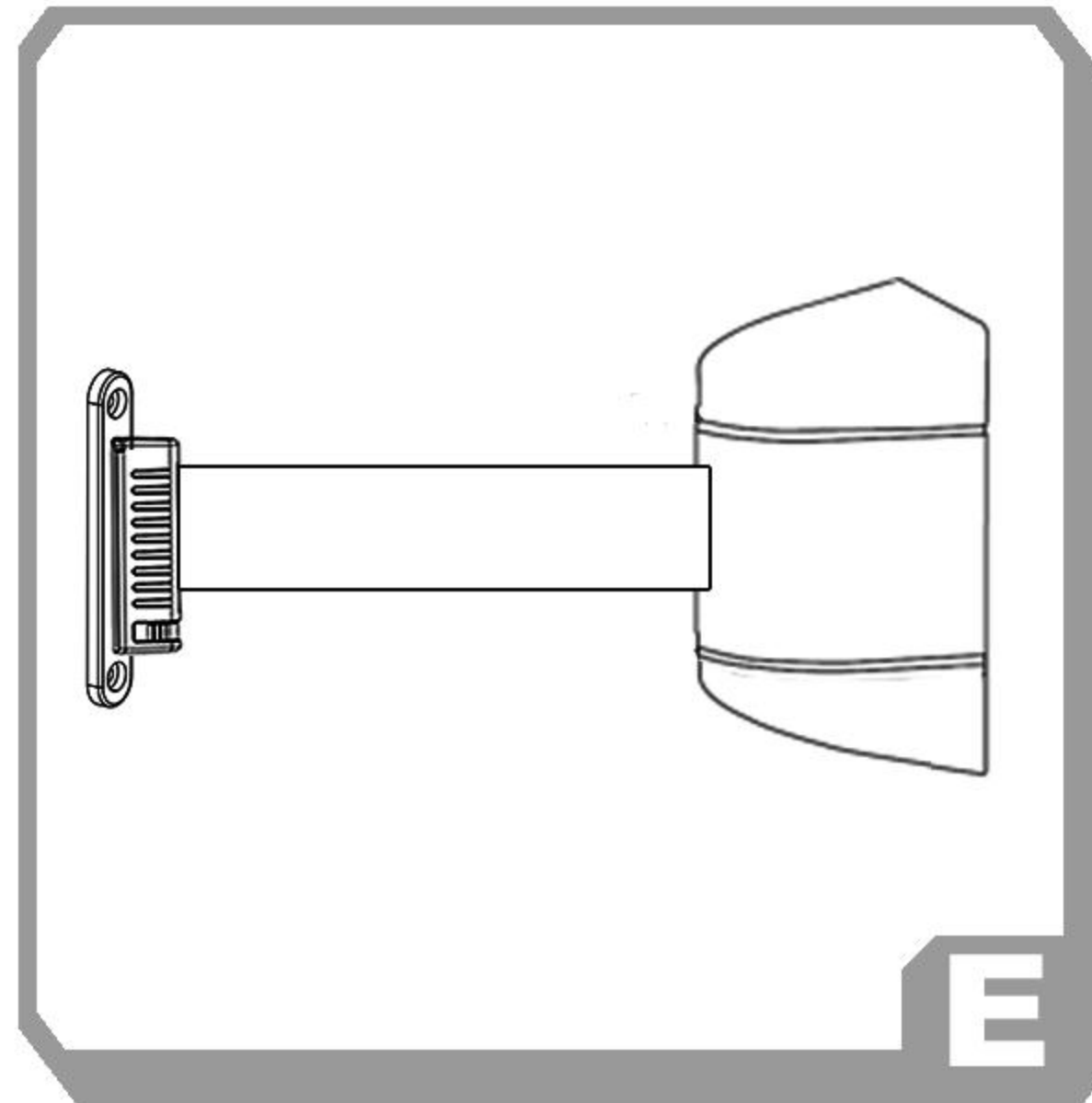
ASSEM. DONE !



D

Position ③ WALL CLIP by pulling out the belt straightly.

Setup ⑤ SCREW to fix ③ WALL CLIP on wall.



E

DONE !

